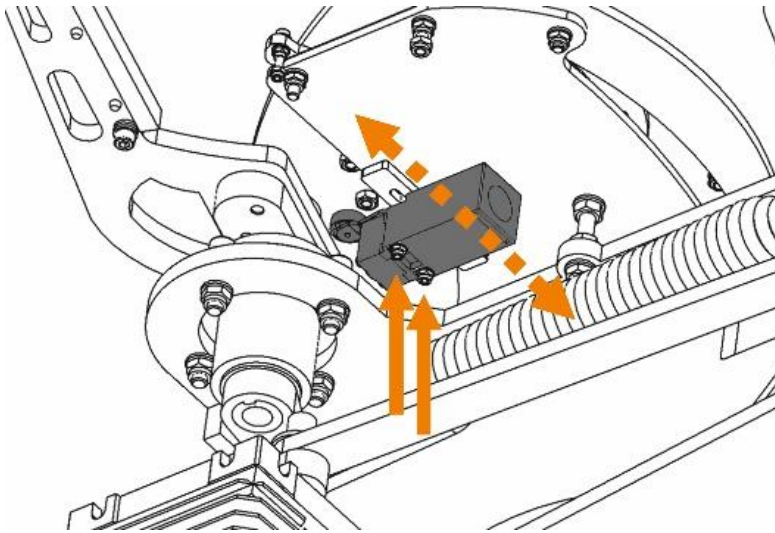


ADJUSTING THE LIMIT SWITCH

Due to changes in spring tension and battery charge, it may be necessary to adjust the limit switch that is responsible for stopping the throwing arm in the right place. For the reasons mentioned above, such adjustment may be necessary even when the thrower is first started, despite our best efforts to adjust it properly.



To properly adjust the limit switch, loosen the two nuts and move the switch so that the throwing arm stops at the proper location. Remember, that moving the limit switch to the left will stop the throwing arm earlier, and moving it right will stop the throwing arm later.



IMPORTANT: MOVING THE LIMIT SWITCH TOO FAR LEFT MAY CAUSE THE CLAYS TO BREAK AT A THROW, AND MOVING THE LIMIT SWITCH TOO FAR RIGHT MAY CAUSE THE THROWING ARM WILL NOT STOP AT ALL AND THE MOTOR WILL RUN NON-STOP, THROWING CLAYS ONE-BY-ONE.